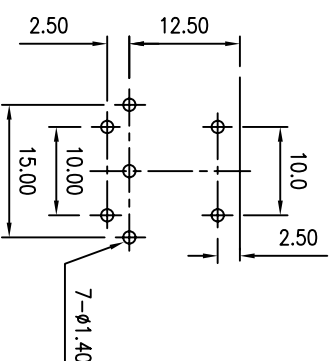
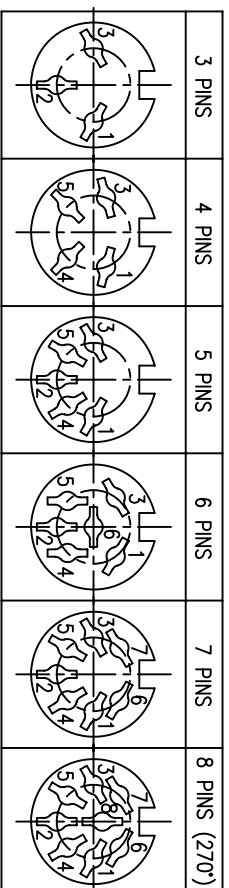
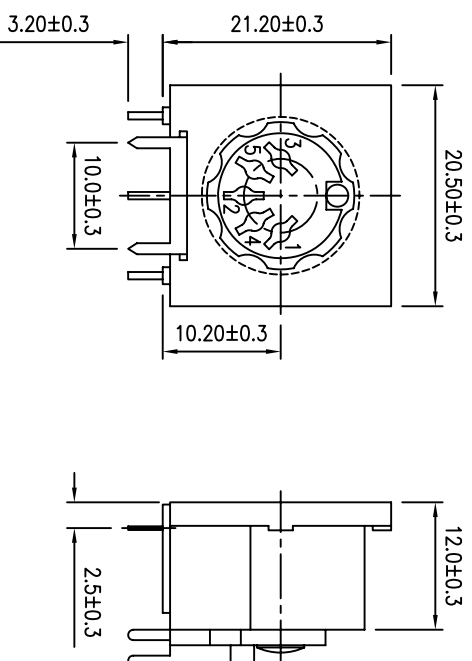


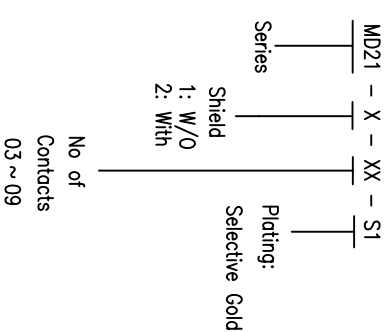
REV	ECN NO.	APP.	DATE
A	NEW DESIGN		



SPECIFICATION

- * Current Rating:
2 A
- * Withstanding Voltage:
500 VAC (1 min.)
- * Insulation Resistance:
100 Megohms MIN.
- * Contact Resistance:
50 Milliohms MAX.
- * Operating Temperature:
-40°C to +85°C

ORDER INFORMATION

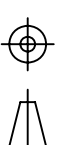


MATERIAL

- * Contact: BRASS
- * Insulator: PBT + G.F.
- * Plating: Selective Gold

SHINHWHA TECH CO.,LTD

0.0±	SCALE:	TITLE:	PART NO.:
0.00±	UNIT: MM	Large DIN Jack	APP BY:
0.000±			CHK BY:



MATL:	PBT + G.F.	DR BY:
DWG. NO.	MD21	